

Hinge with spring loaded pin

This range of hinge with spring loaded pin offers the following features:

- The retractable spring loaded pin allows the **quick** assembly and disassembling of the door **without any tool**
- Allows the articulation to be **concealed**
- Choice of **material**
- Exists in 2 **dimensions**
- Exists in **RH** and **LH** versions
- Can be used as a **locking device**
- Can be used as a **positioning device**

Application examples:

- Enclosures and 19" racks
 - Cabinets
 - HVAC
 - Industrial furniture
- Etc.

Material:

housing: steel, zinc plated or raw or SS 304

pin: steel, zinc plated or SS 304

return spring : stainless steel

Part numbers :

12-1-3854 and **12-1-3855**

12-1-3856 and **12-1-3857**

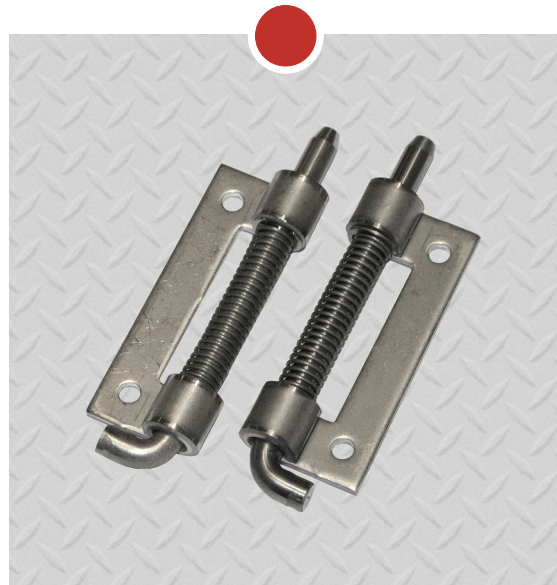
12-1-3858 and **12-1-3859**

12-1-3860 and **12-1-3861**

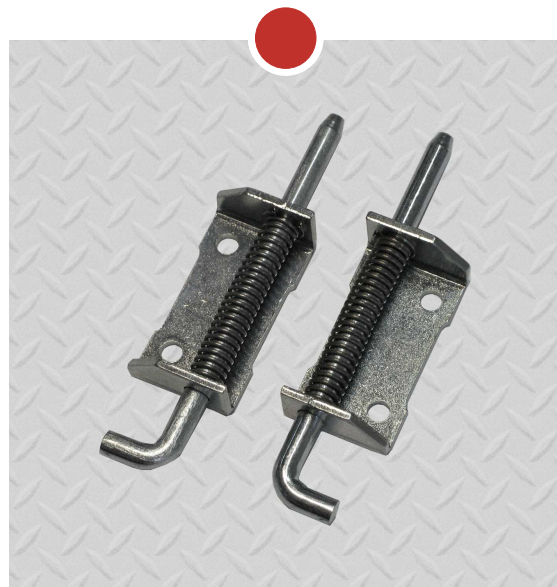
12-1-3950 and **12-1-3951**

12-1-3862 and **12-1-3863**

Other lift-off hinges: see our catalogue.

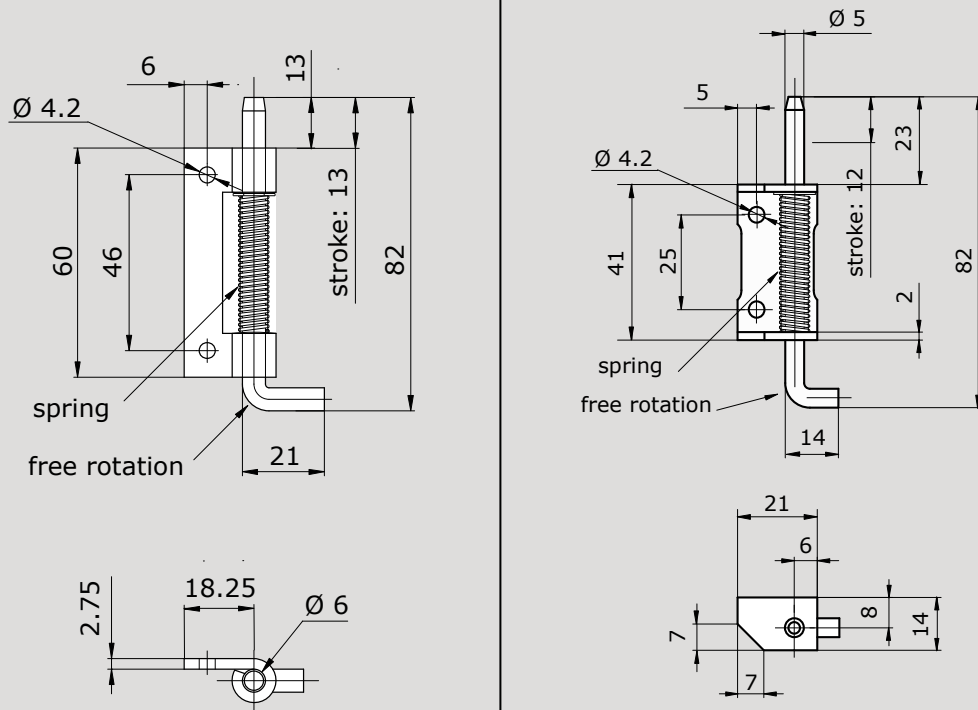


SS steel hinge 12-1-3858 and 12-1-3859



Steel zinc plated hinge 12-1-3860 and 12-1-3861

Hinge with spring loaded pin



Hinge with spring loaded pin (dimensions)

Part numbers	Material	Version	Part numbers	Material	Version
12-1-3854	Steel, zinc plated	A	12-1-3860	Steel, zinc plated	A
12-1-3855	Steel, zinc plated	B	12-1-3861	Steel, zinc plated	B
12-1-3856	Steel, raw	A	12-1-3950	Steel, raw	A
12-1-3857	Steel, raw	B	12-1-3951	Steel, raw	B
12-1-3858	SS 304	A	12-1-3862	SS 304	A
12-1-3859	SS 304	B	12-1-3863	SS 304	B

Version A : as shown
Version B : symmetrical

Subject to technical changes

Pinet Industrie • 9, rue de l'Etang • Parc international d'activités Paris Nord 2
BP 62036 • 95971 Roissy Charles de Gaulle Cedex • France
Tél. : 33 (0)1 49 38 27 00 • Fax : 33 (0)1 48 63 77 70 • www.pinet.tm.fr

SAS au capital de 4 118 400 € • RCS Bobigny et SIRET • B 407 485 556 00010 • Code NAF : 286 F