

Concealed hinge multi-link, with 90° opening

This hinge has a multi-link articulation design which allows a 90° opening even in flush/nested or surface mounted door assembly.

Moreover the hinge is compact enough for integration into solid panels and metal sheet (thickness range advisable: from 1 to 13 mm).

The multi-linkage and pins are in stainless steel for a better mechanical strength.

Non handed design (RH and LH) and horizontal axis possible.

Main characteristics:

- **Small** overall dimensions
- **90°** door opening
- Fully **concealed** design
- Fastening by **screws**
- **Non handed** design (RH and LH)
- For **lightweight** door application

Fitting examples:

- industrial furniture and machinery
- recreational vehicles and interiors
- telecom cabinets
- Etc.

Material:

U shape elements: steel, zinc plated
linkage: AISI 430
bracket: steel, zinc plated

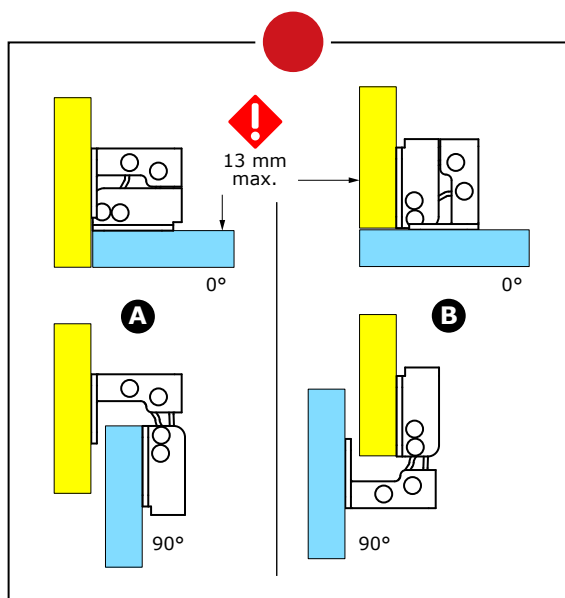
Part number :

hinge only: **70-1-3520**
bracket (optional): **99-1-3607**

Other concealed hinges: see our catalogue.

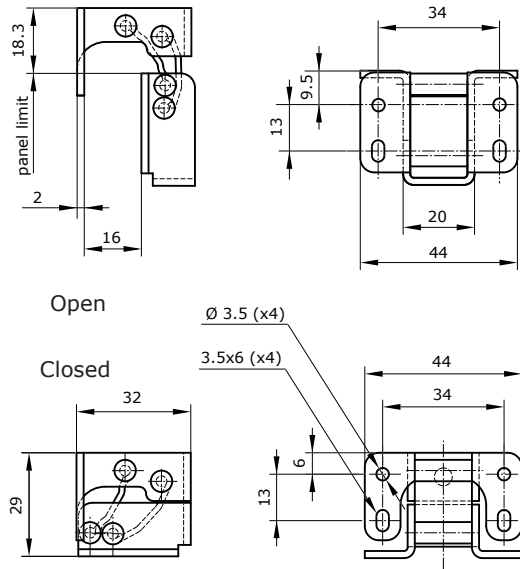


Concealed hinge 70-1-3520 at 0°, 45° and 90°
Bracket 99-1-3607



A: flush/nested door assembly shown
B: surface mounted door assembly shown

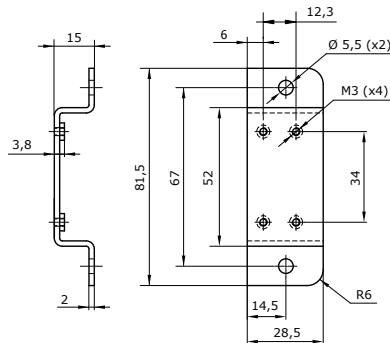
Concealed hinge, multi-link, with 90° opening



Hinge 70-1-3520

Other information:

- 90° opening
- Fastening with screws M3 according to: DIN 84*, DIN 85*, DIN 7985* or DIN 912**
- (*panel thickness 13 mm maxi, ** panel thickness 12 mm maxi)
- Non handed LH & RH
- For vertical or horizontal axis
- For flush/nested or surface mounted door assembly

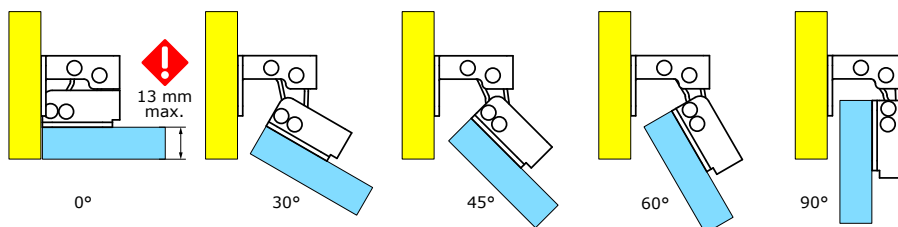


Bracket 99-1-3607

(optional for fitting on metal sheet door with bending)

Other information:

- Fastening with M5 welded studs and M5 nuts



Flush/nested door assembly shown

Subject to technical changes

Pinet Industrie • 9, rue de l'Etang • Parc international d'activités Paris Nord 2
 BP 62036 • 95971 Roissy Charles de Gaulle Cedex • France
 Tél. : 33 (0)1 49 38 27 00 • Fax : 33 (0)1 48 63 77 70 • www.pinet.tm.fr

SAS au capital de 4 118 400 € • RCS Bobigny et SIRET • B 407 485 556 00010 • Code NAF : 286 F